

Dear Customer

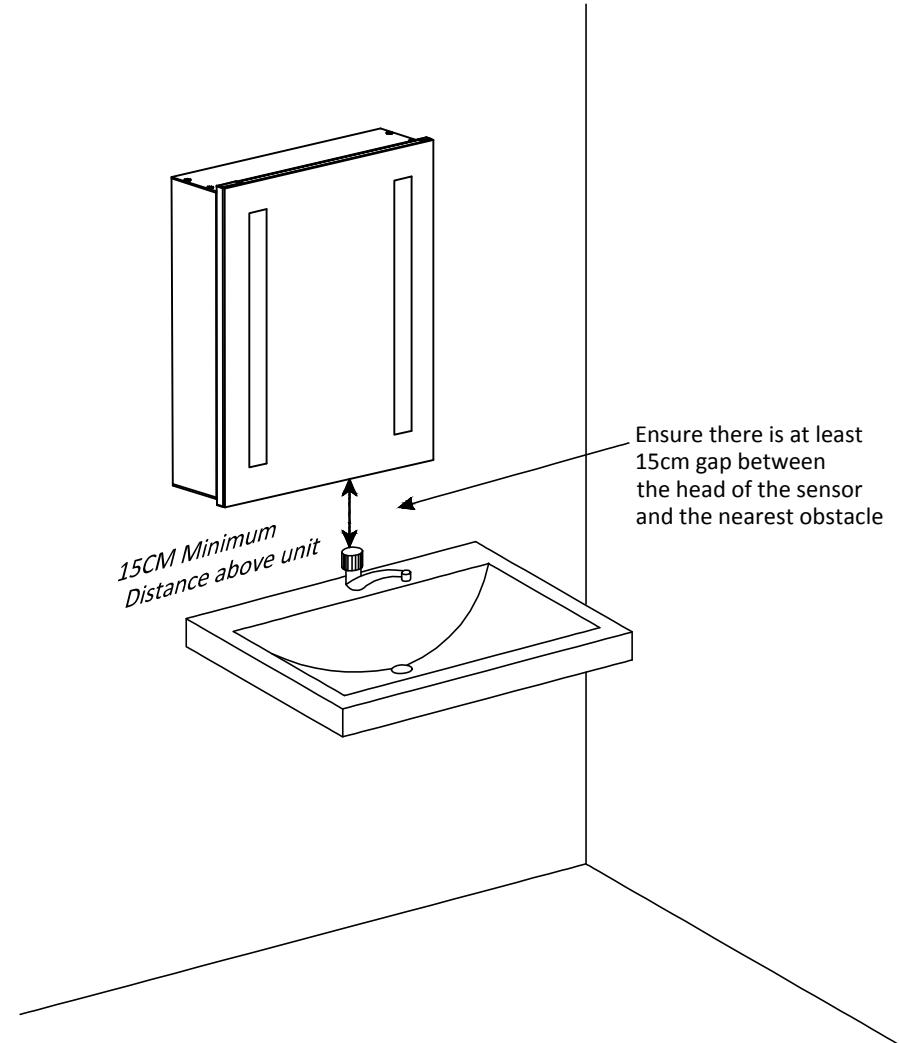
**Very important Please Note:**

Your new cabinet has an Infra-red sensor on the bottom right hand side of the rear carcass.

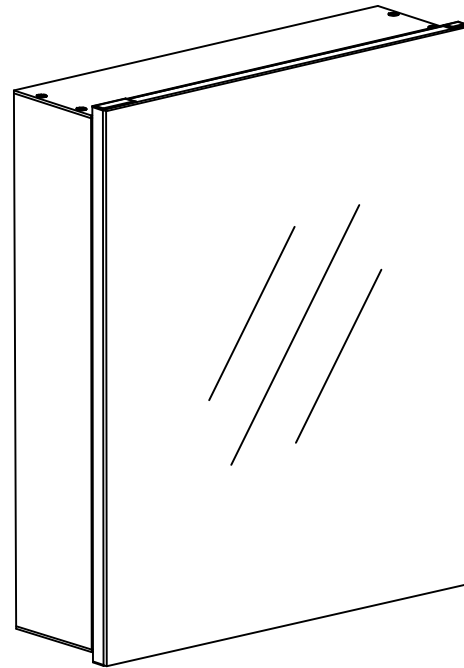
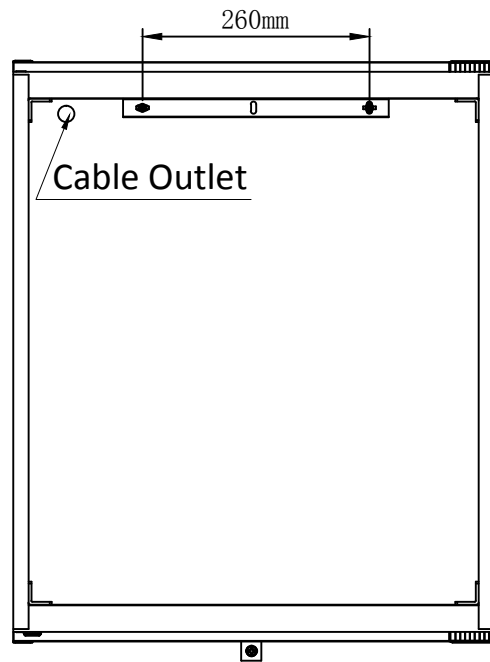
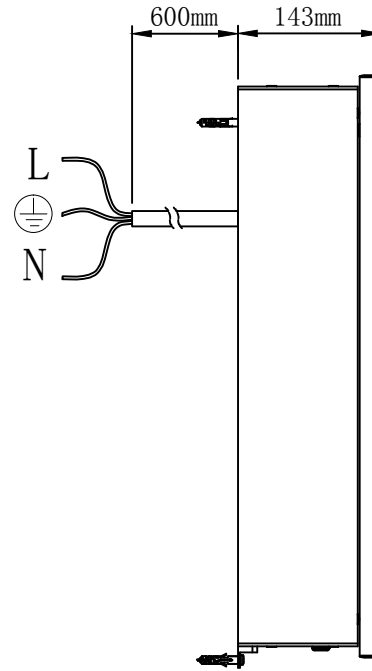
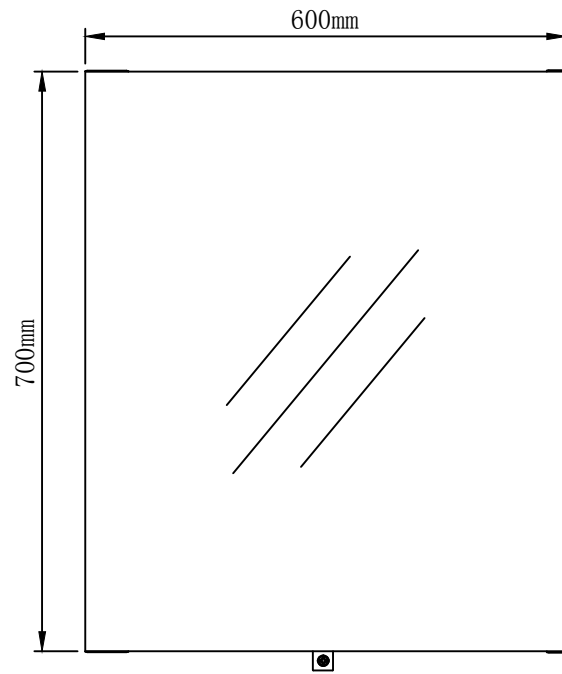
There needs to be at least a 15cm gap between the head of the sensor and the nearest obstacle, a wall for example.

If the gap is less than 15cm then your sensor will not work properly!

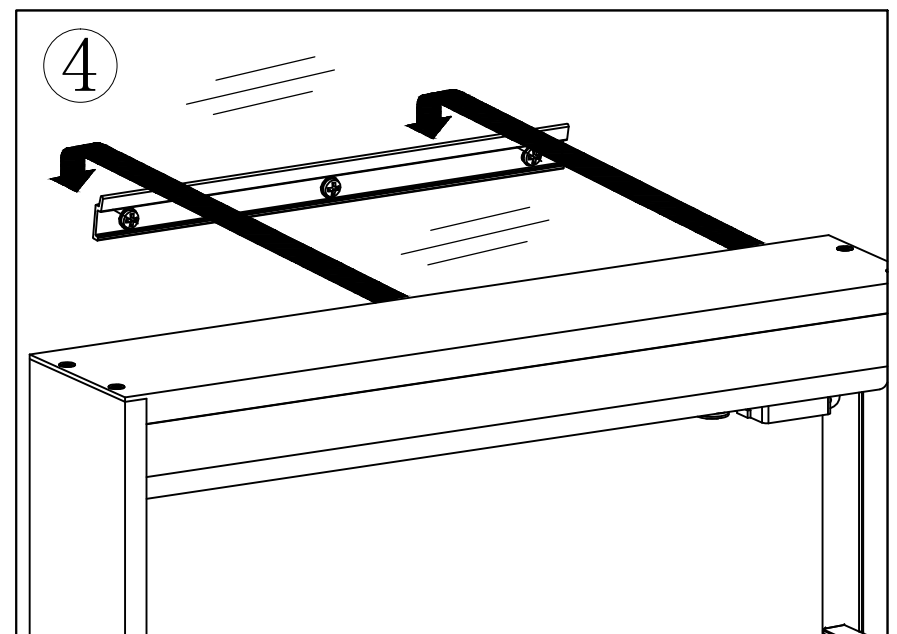
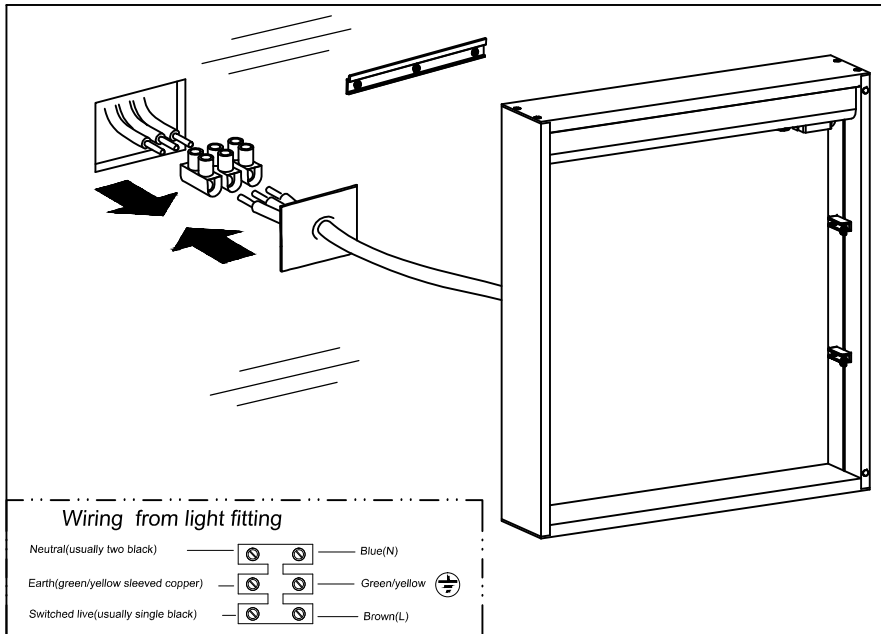
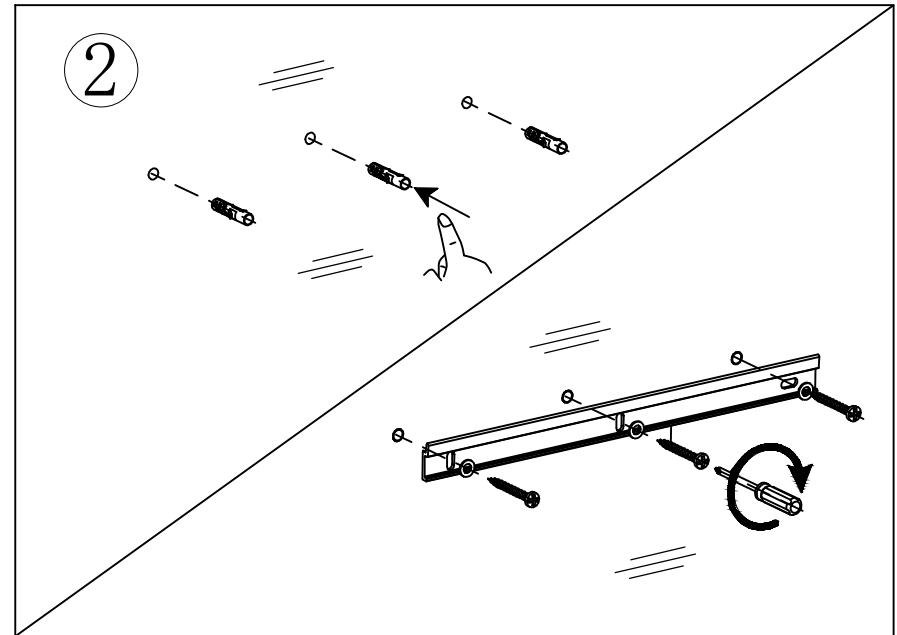
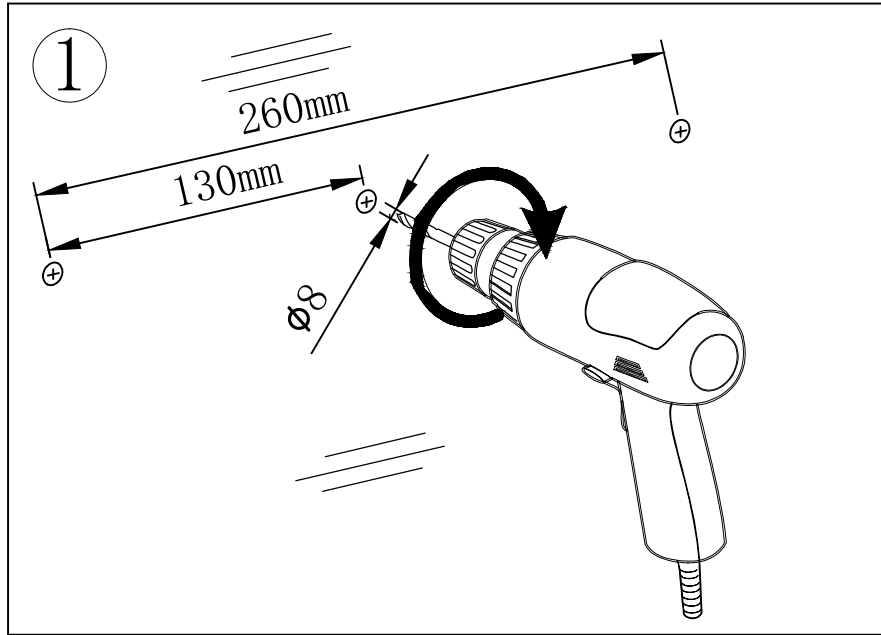
**IMPORTANT  
CABINET LOCATION**

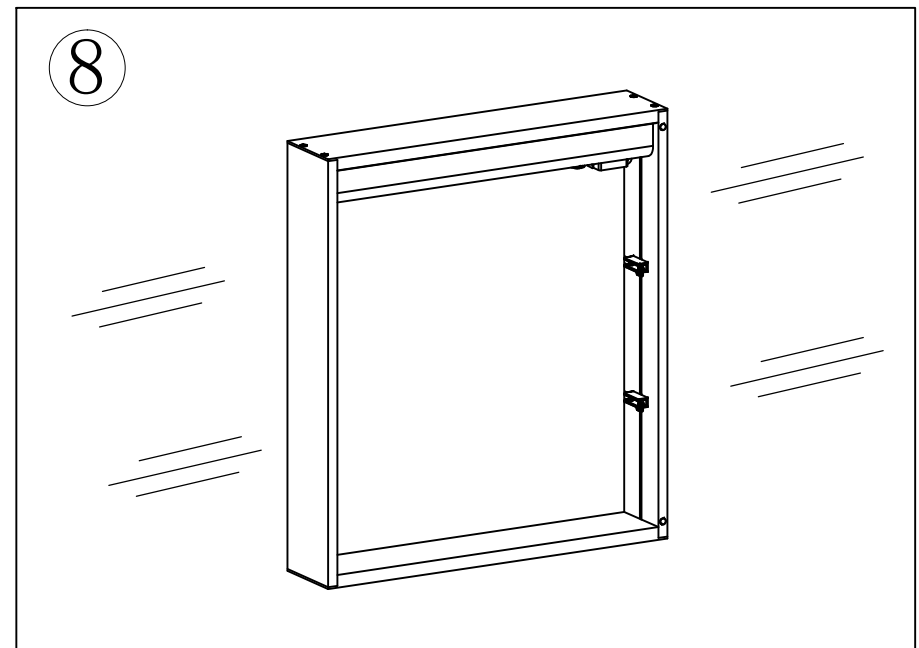
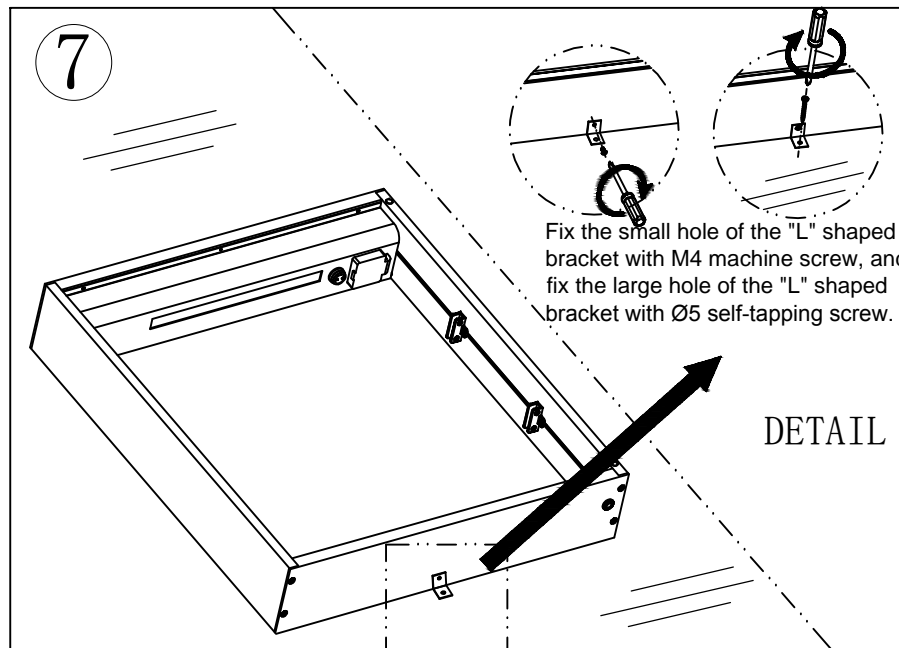
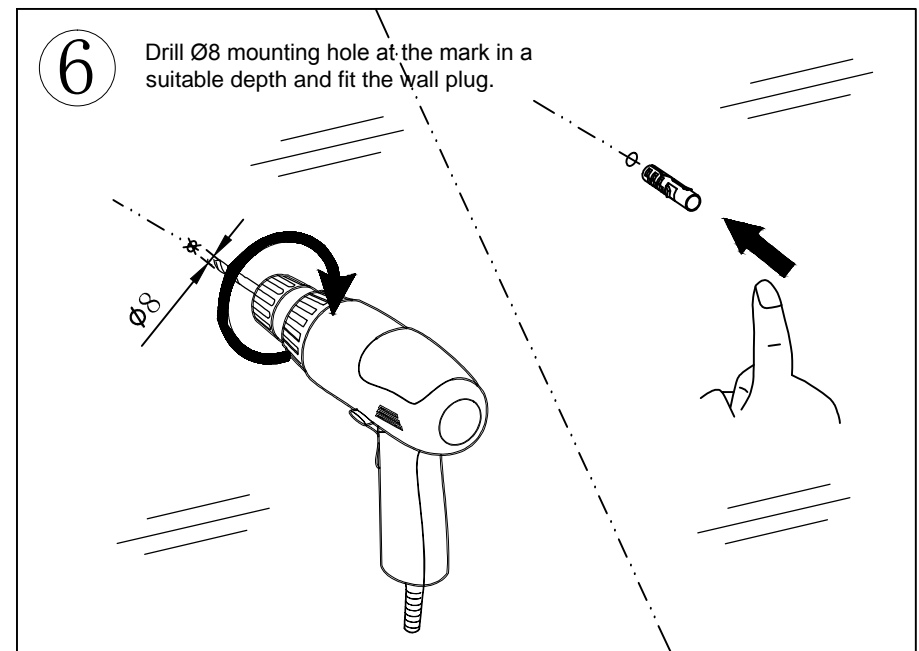
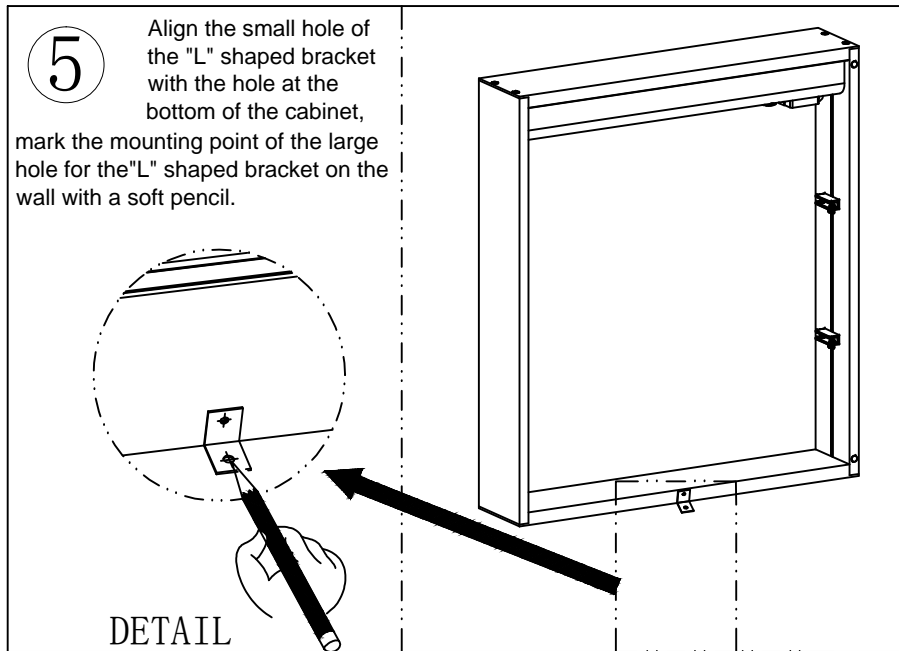


Line drawing

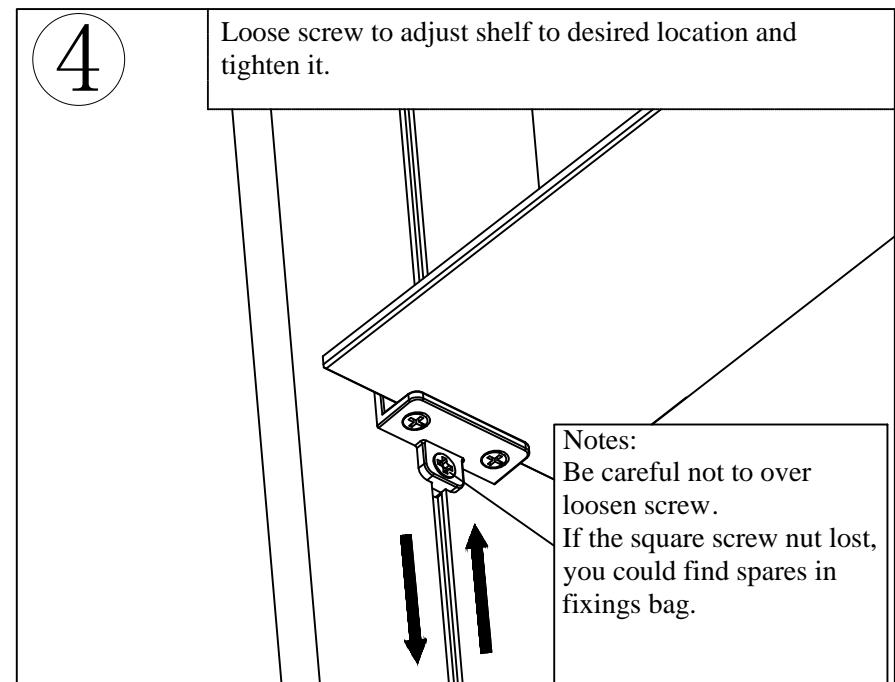
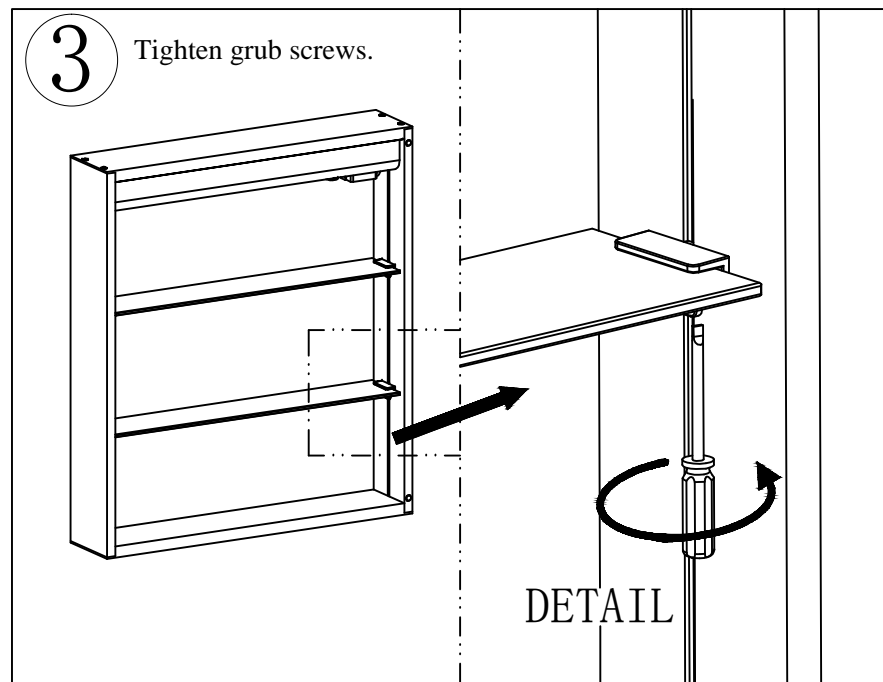
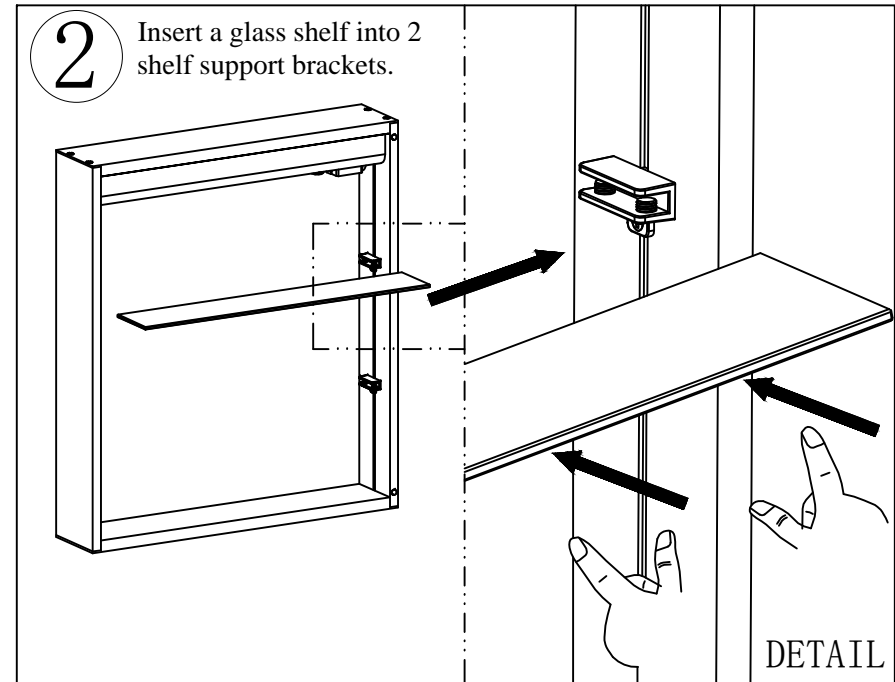
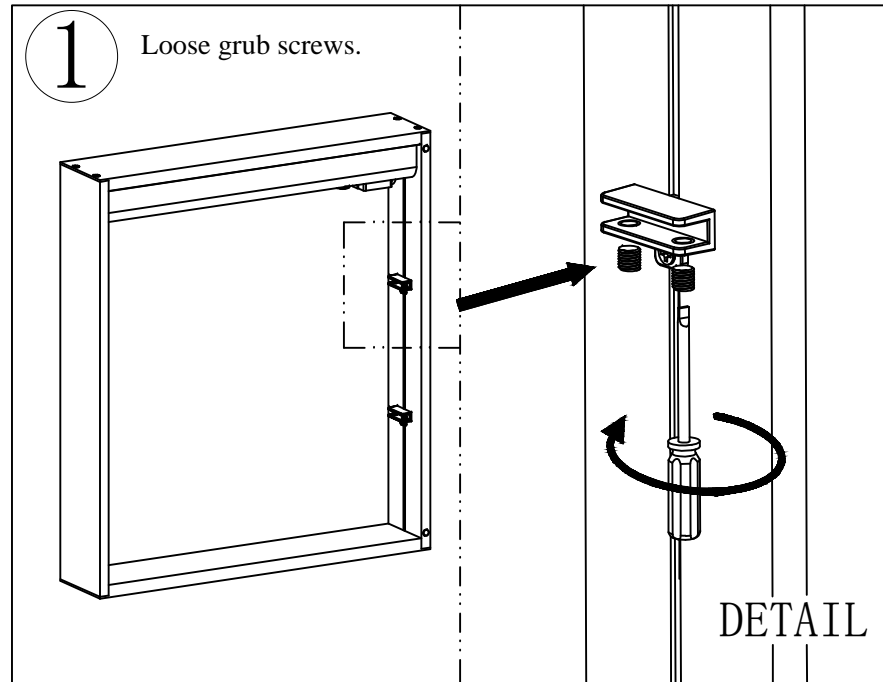


# INSTALLATION INSTRUCTIONS

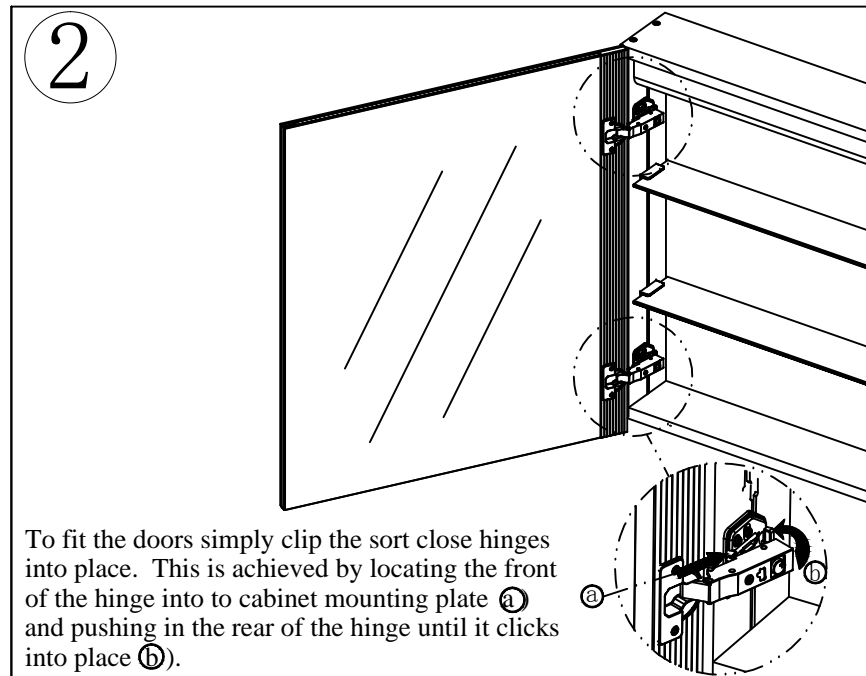
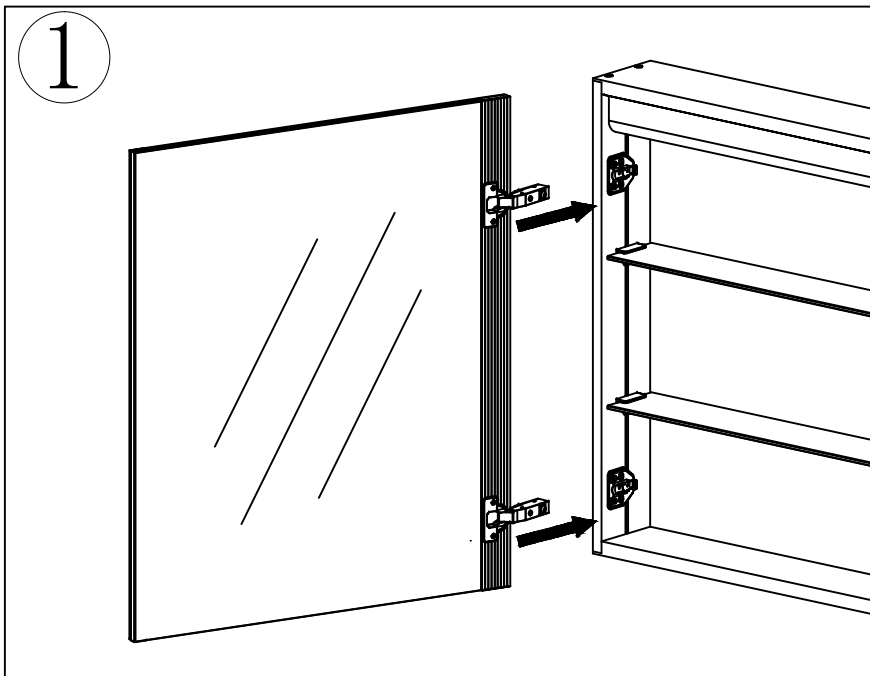




# FIXING INSTRUCTIONS FOR THE ADJUSTABLE GLASS SHELVES



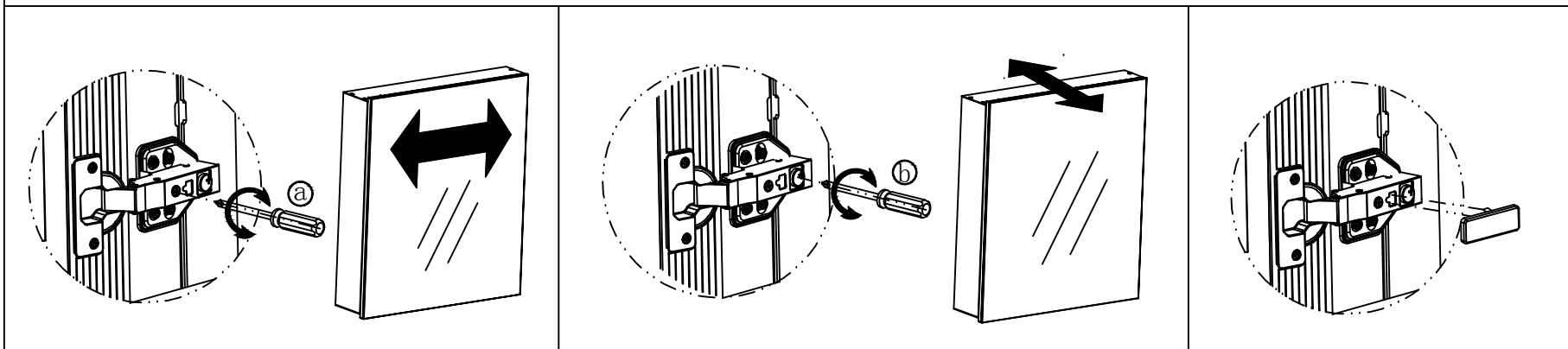
FIXING INSTRUCTIONS FOR THE MIRROR DOOR  
(STRONGLY ADVICE TO INSTALL EACH DOOR WITH 2 PERSONS)



3

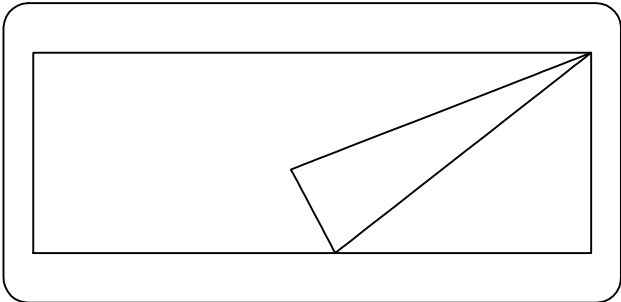
### Door Adjustment

There are two adjustments that can be made **a**) will adjust the door left to right **b**) will adjust the gap between the door and the cabinet.  
Once you have correctly adjusted the door(s) simply clip on the hinge cover **c**)

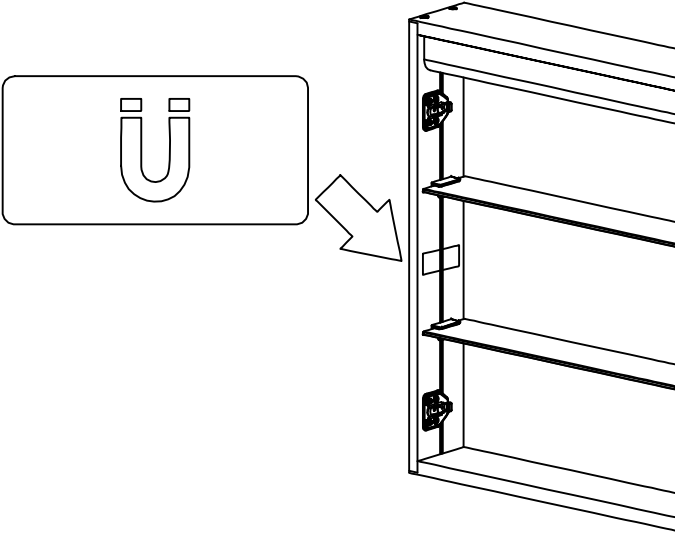


# MAGNETIC STRIP INSTALLATION INSTRUCTION

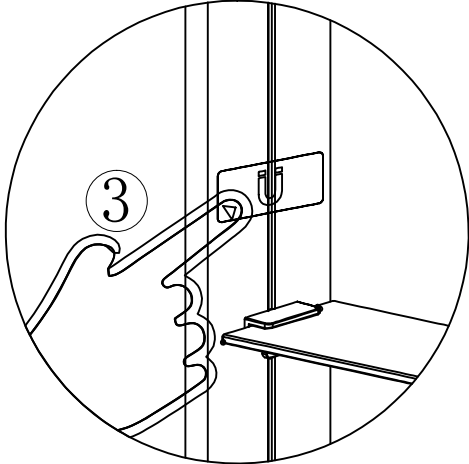
1 Tear the back adhesive film



2 Stick it on a suitable position



3 Press and hold after pasting



**CAUTION:** We recommend that you make sure the rear cable is not kinked or overlapped after installation to avoid potentially cracking the internal mirror.

