

Dear Customer

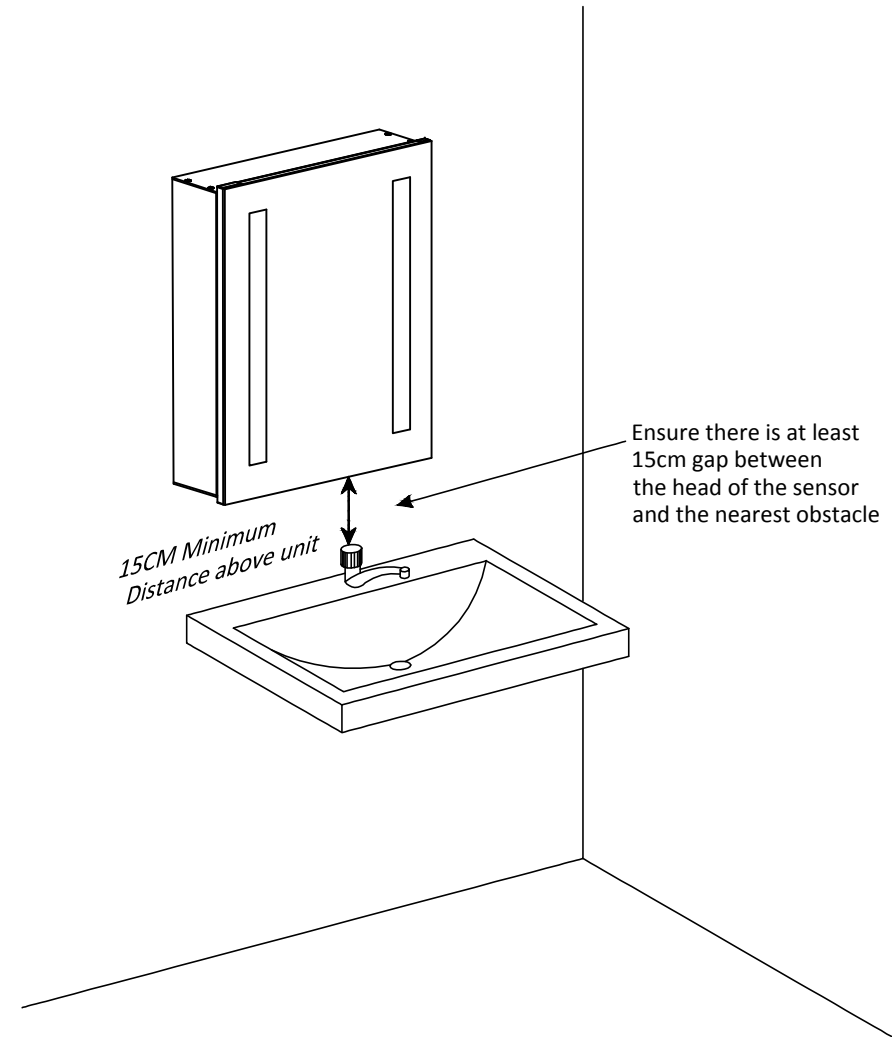
Very important Please Note:

Your new cabinet has an Infra-red sensor on the bottom right hand side of the rear carcass.

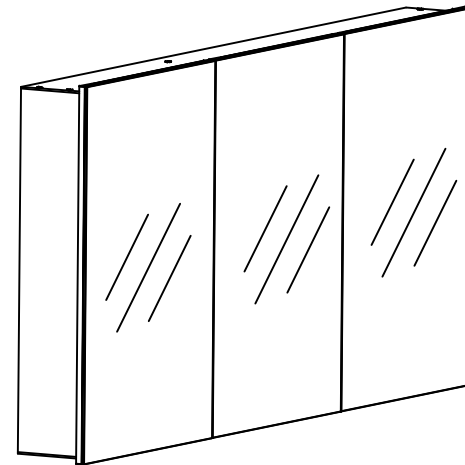
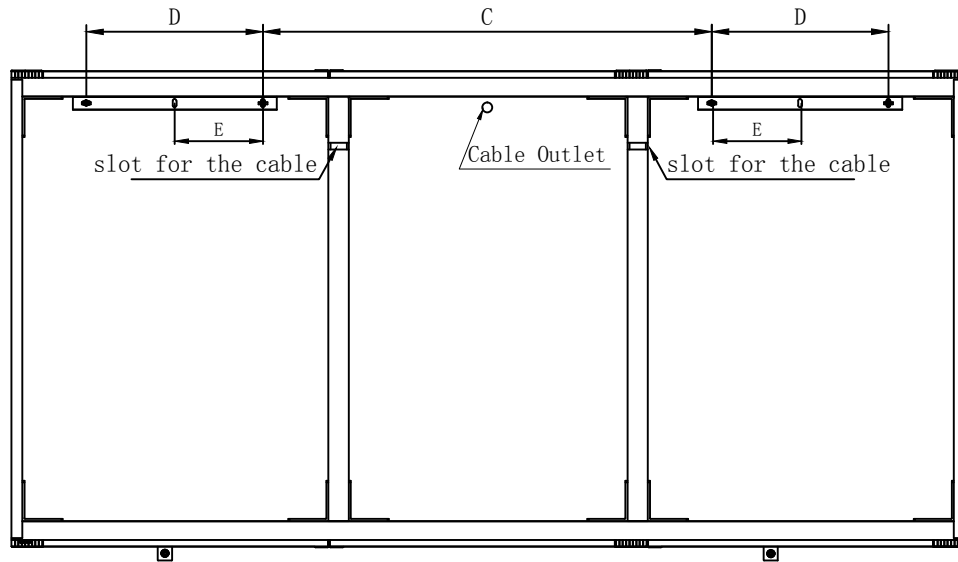
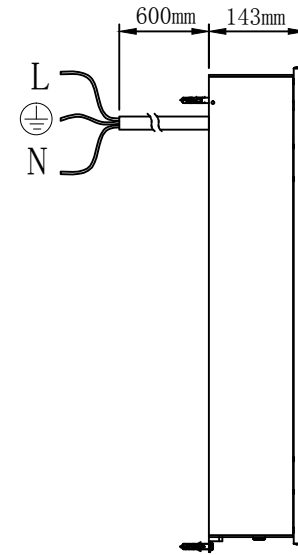
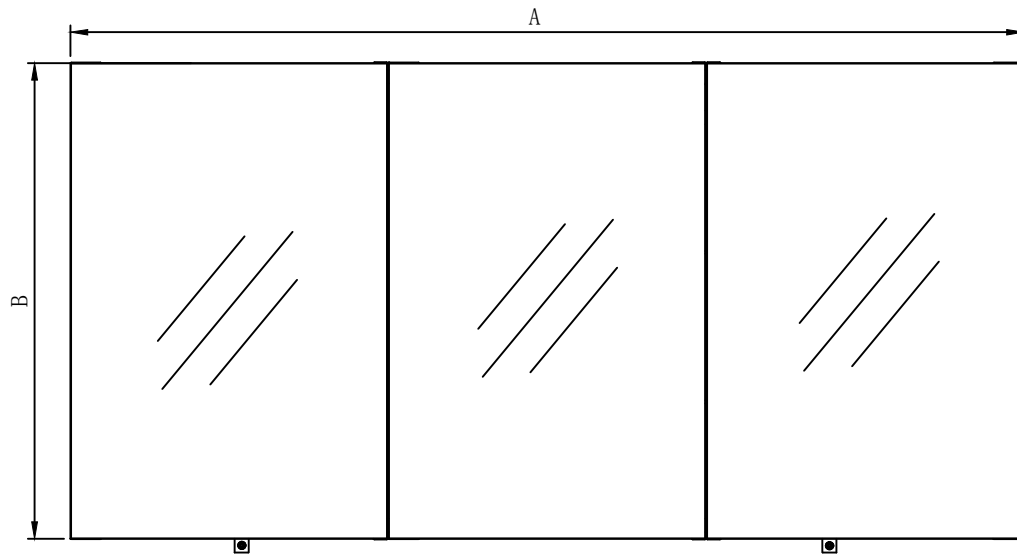
There needs to be at least a 15cm gap between the head of the sensor and the nearest obstacle, a wall for example.

If the gap is less than 15cm then your sensor will not work properly!

**IMPORTANT
CABINET LOCATION**

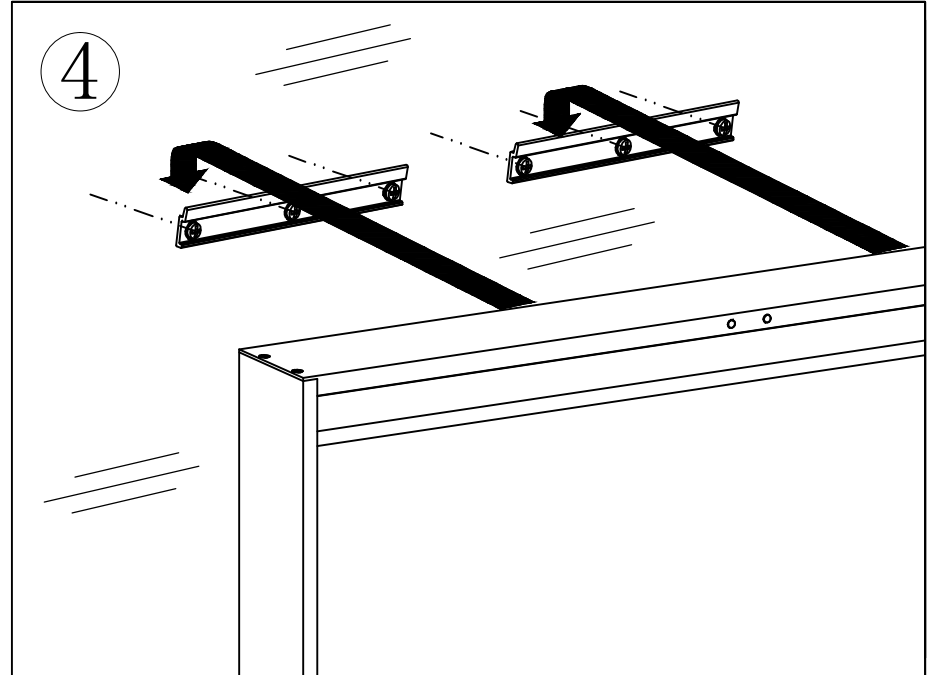
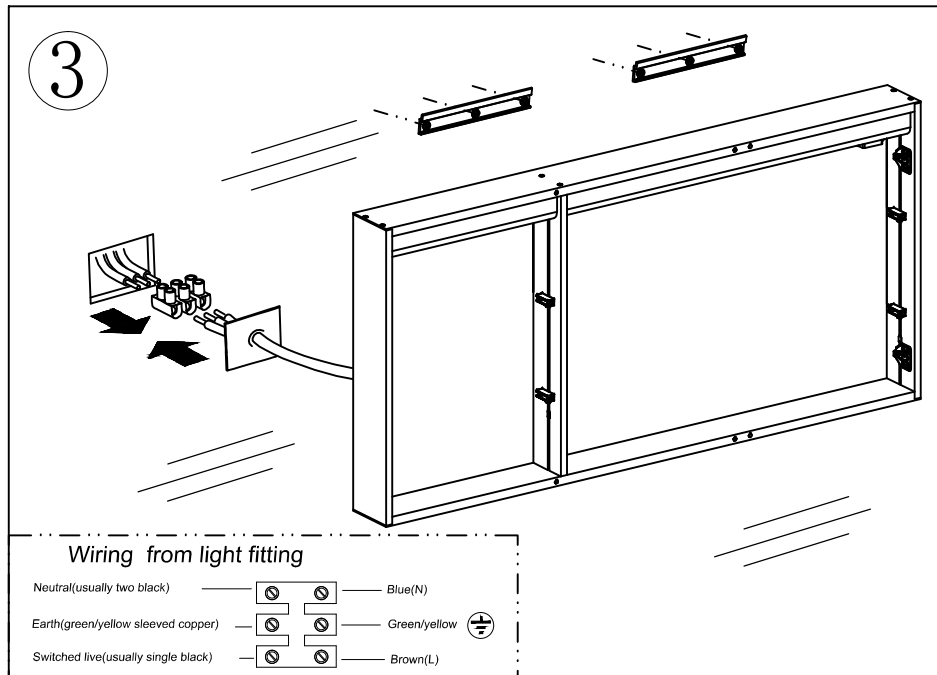
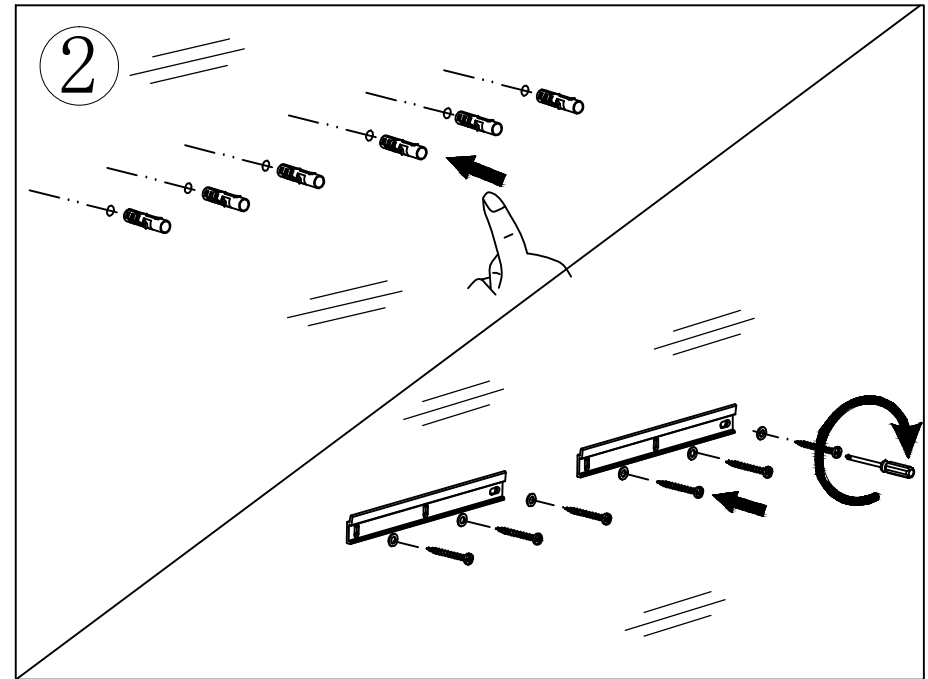
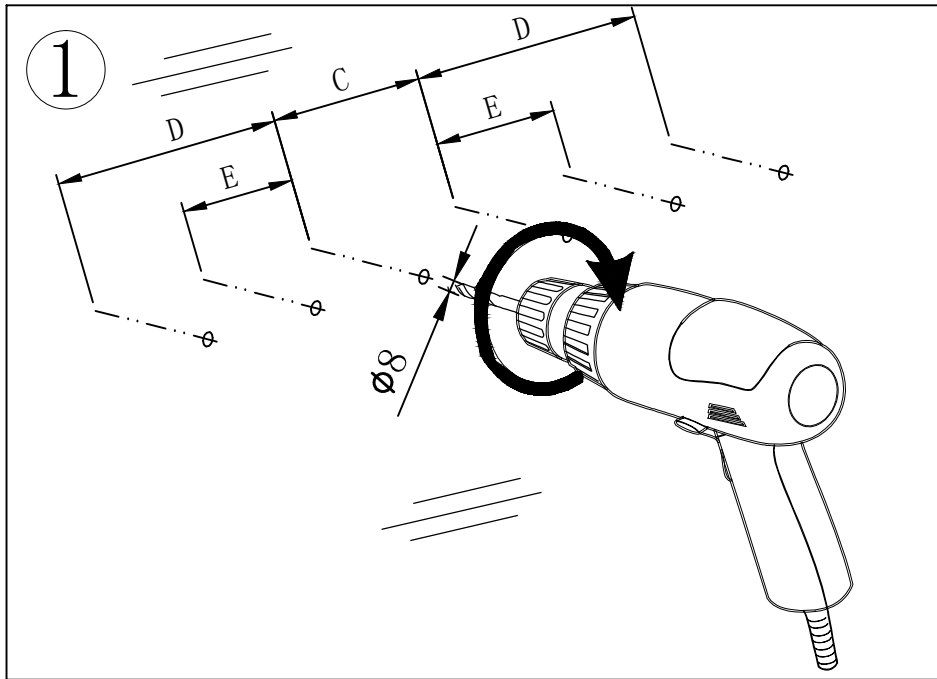


Line drawing



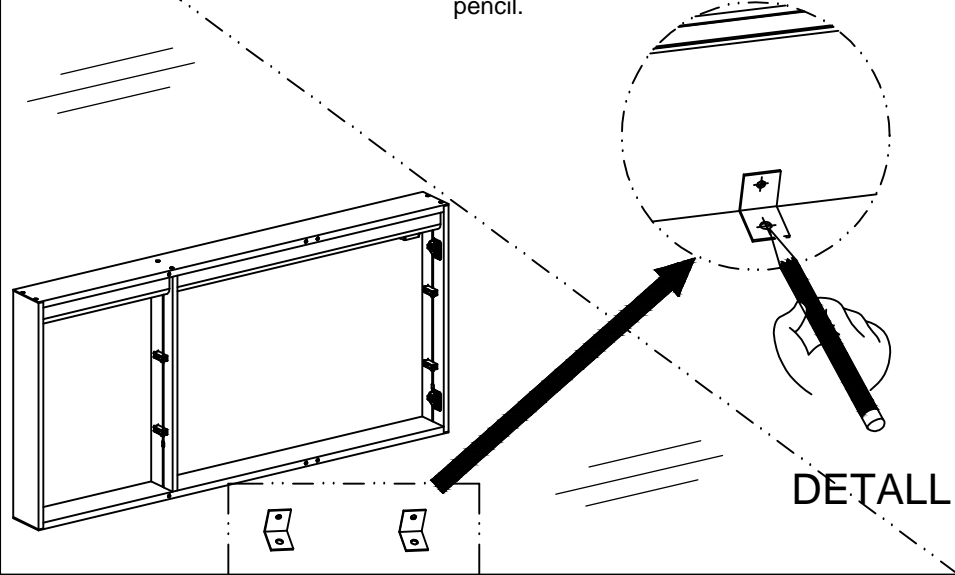
Model No.	A (mm)	B (mm)	C (mm)	D (mm)	E (mm)
A. 140/B. 140/C. 140	1400	700	660	260	130
A. 160/B. 160/C. 160	1600	700	740	260	130

INSTALLATION INSTRUCTIONS



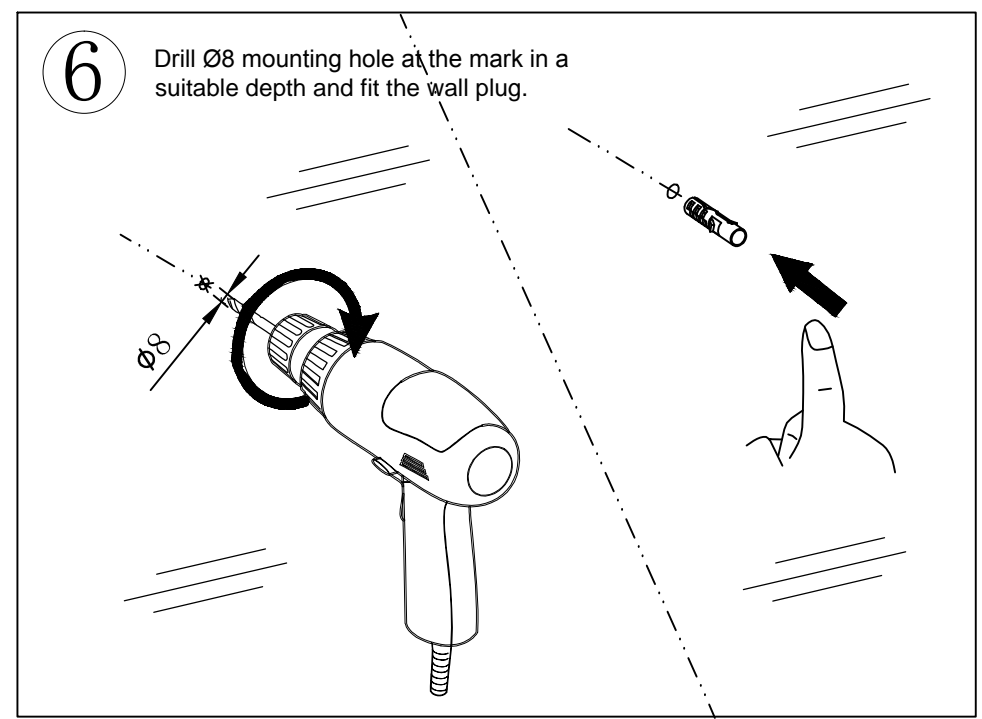
5

Align the small hole of the "L" shaped bracket with the hole at the bottom of the cabinet, mark the mounting point of the large hole for the "L" shaped bracket on the wall with a soft pencil.



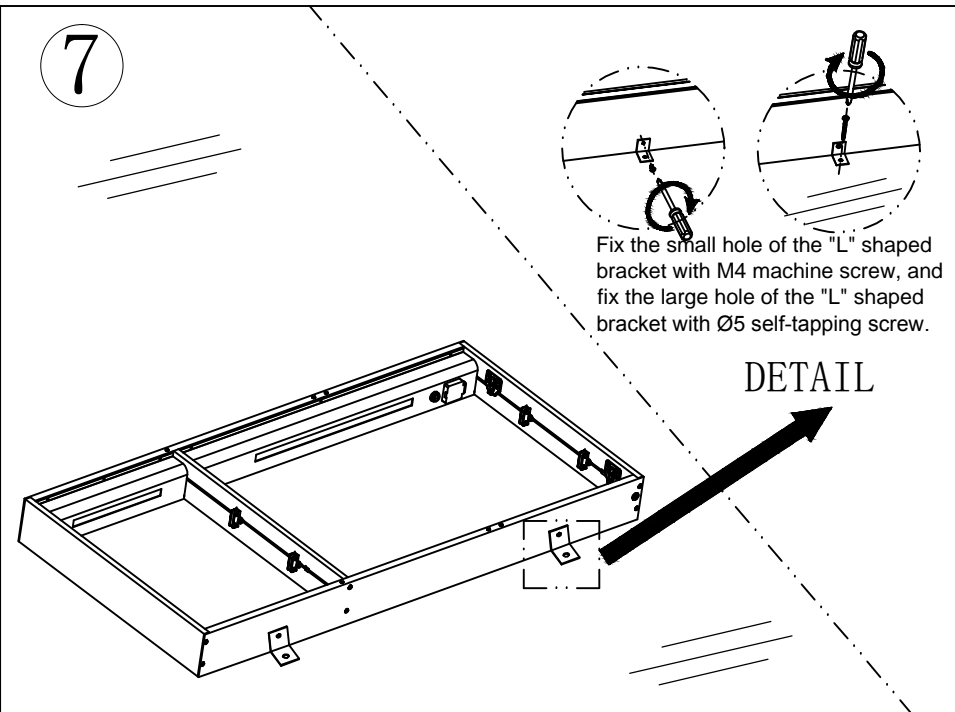
6

Drill Ø8 mounting hole at the mark in a suitable depth and fit the wall plug.

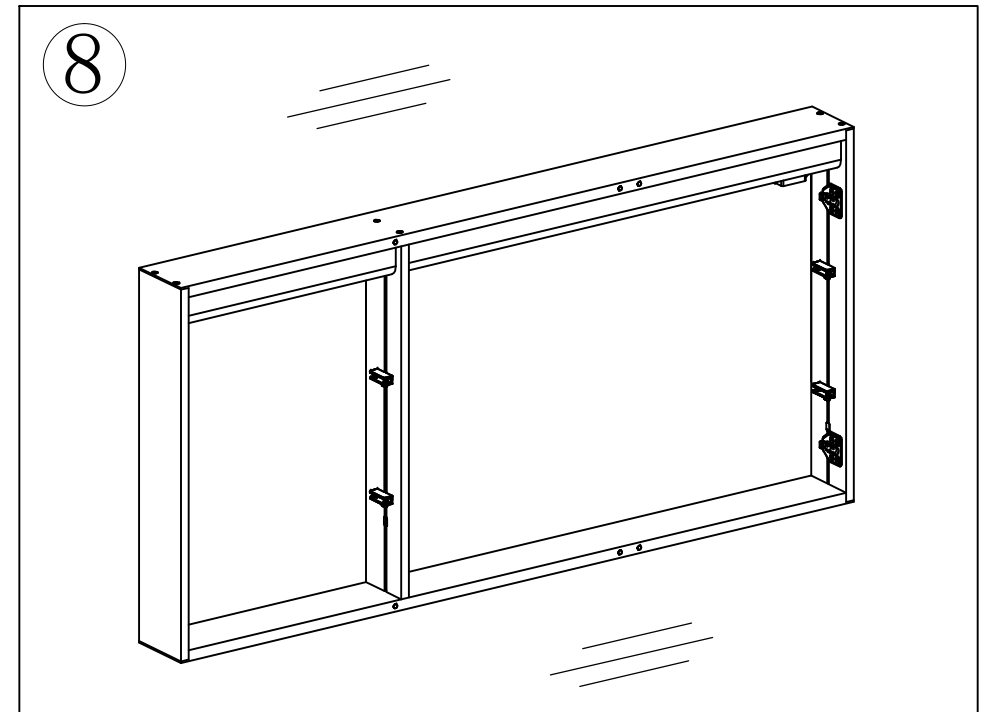


7

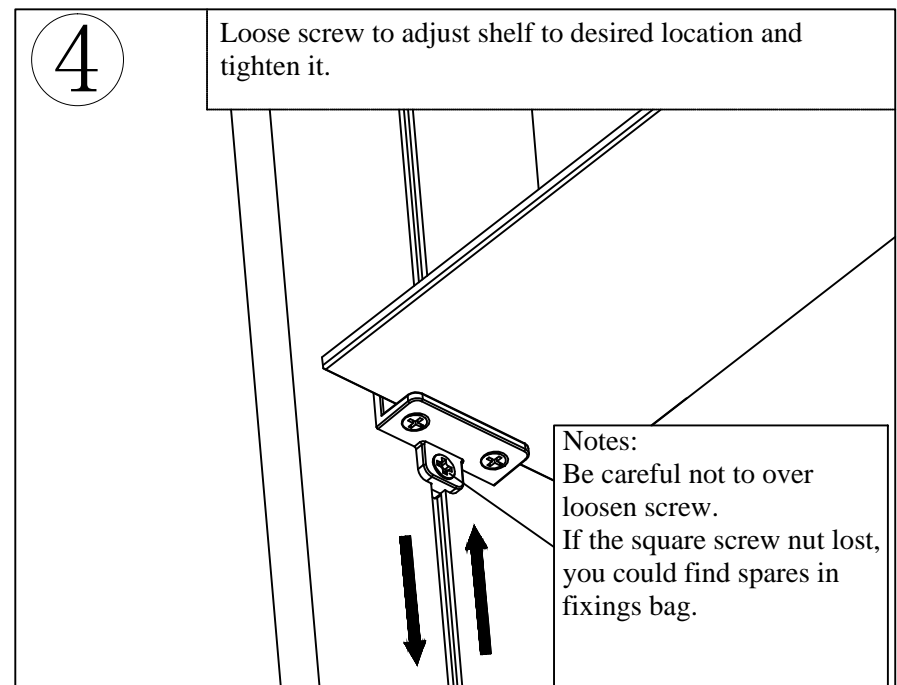
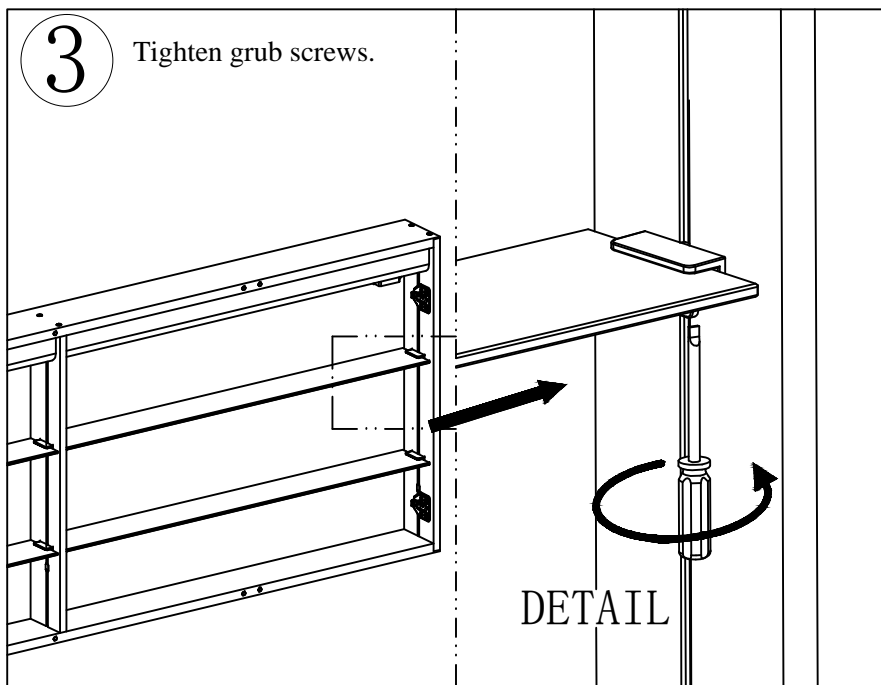
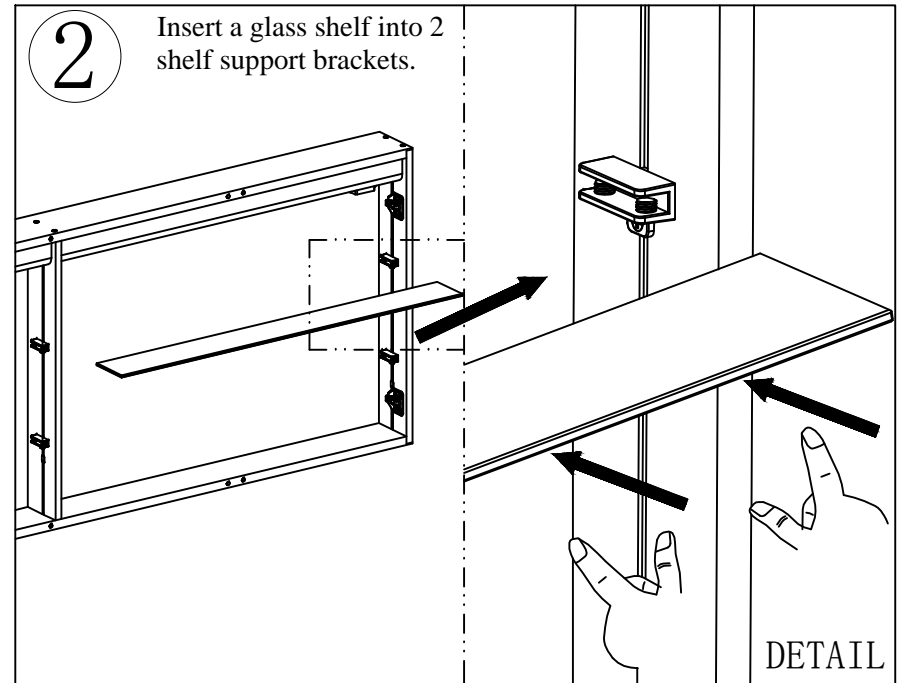
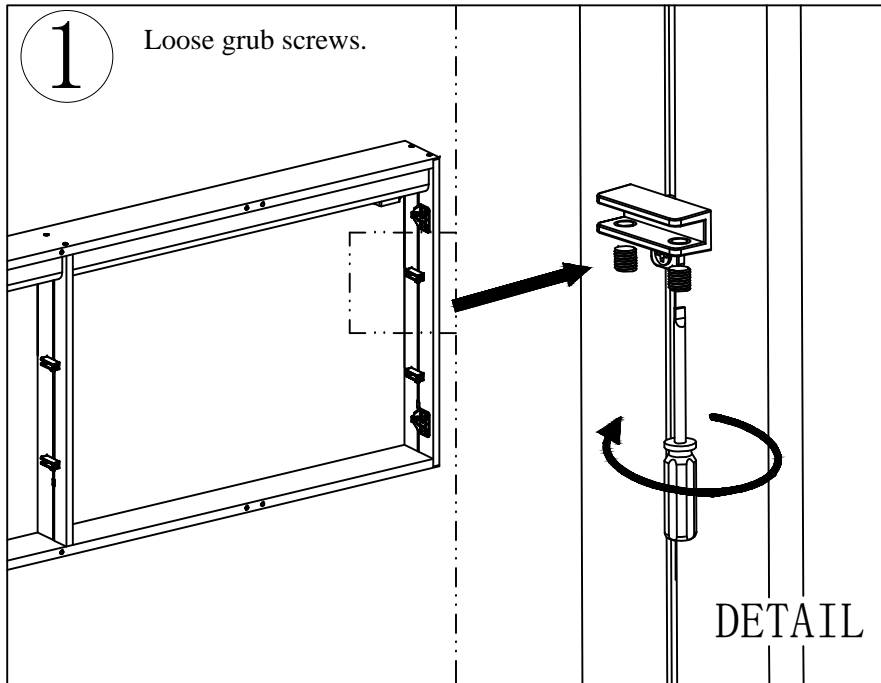
Fix the small hole of the "L" shaped bracket with M4 machine screw, and fix the large hole of the "L" shaped bracket with Ø5 self-tapping screw.



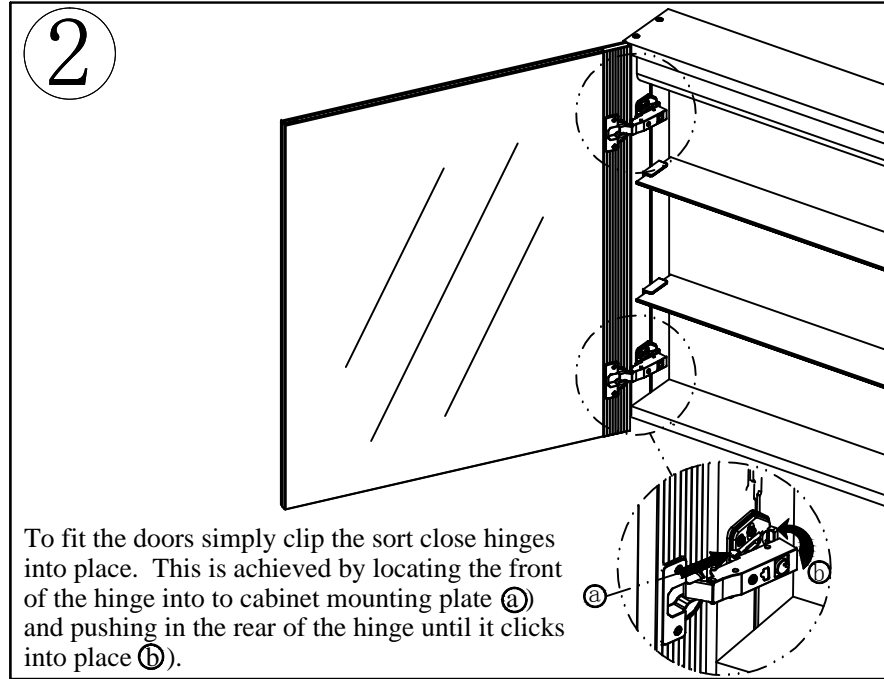
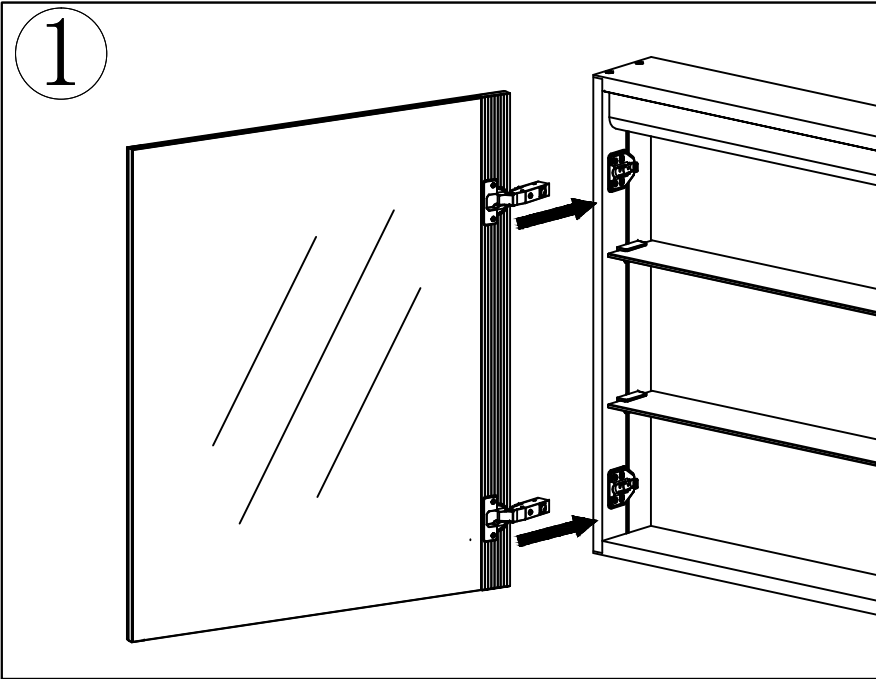
8



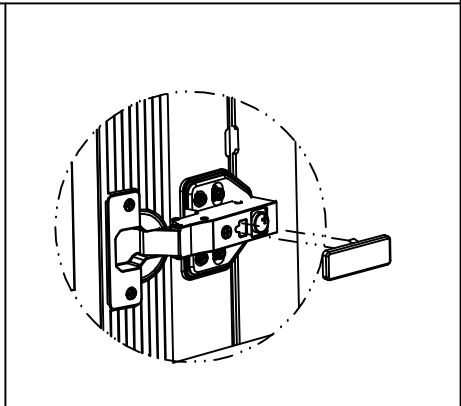
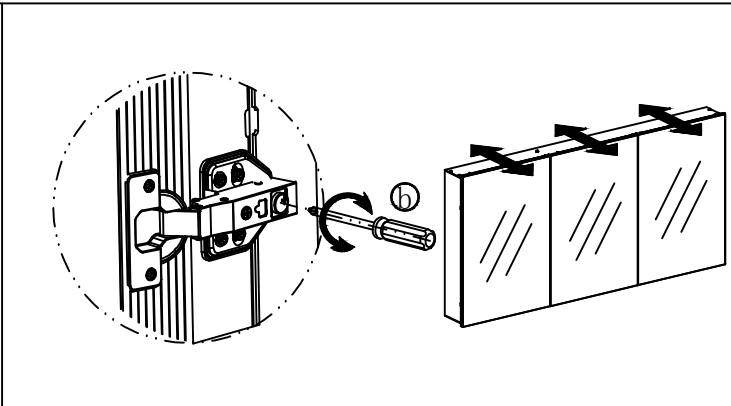
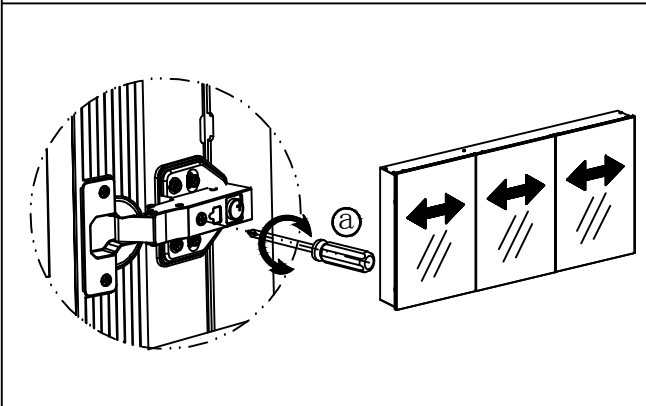
FIXING INSTRUCTIONS FOR THE ADJUSTABLE GLASS SHELVES



FIXING INSTRUCTIONS FOR THE MIRROR DOOR
(STRONGLY ADVICE TO INSTALL EACH DOOR WITH 2 PERSONS)

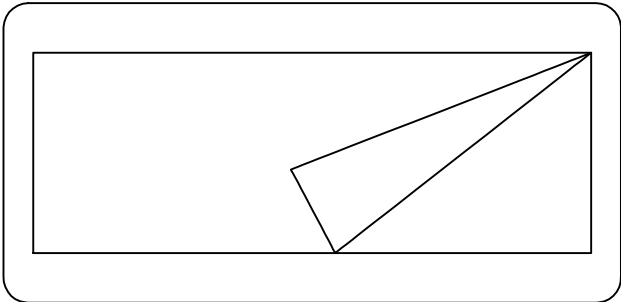


3 Door Adjustment
There are two adjustments that can be made (a)) will adjust the door left to right (b)) will adjust the gap between the door and the cabinet.
Once you have correctly adjusted the door(s) simply clip on the hinge cover (c)

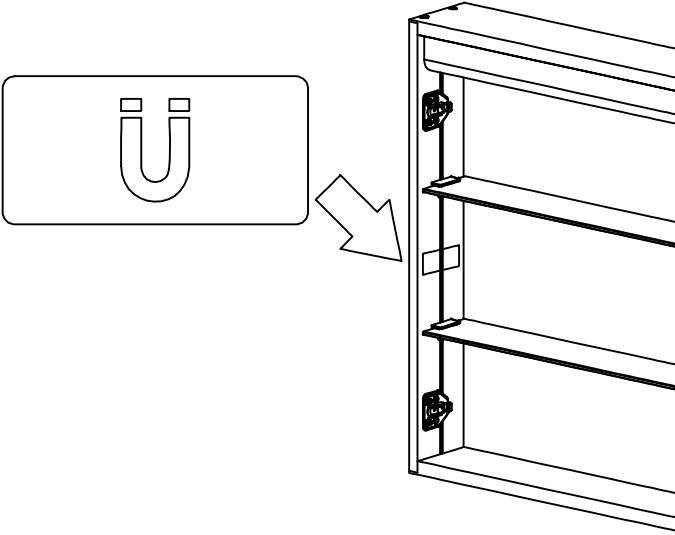


MAGNETIC STRIP INSTALLATION INSTRUCTION

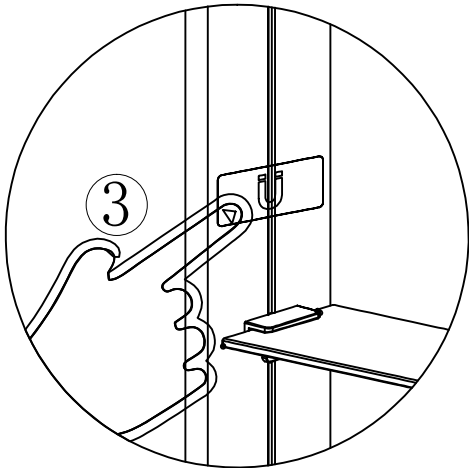
1 Tear the back adhesive film



2 Stick it on a suitable position



3 Press and hold after pasting



CAUTION: We recommend that you make sure the rear cable is not kinked or overlapped after installation to avoid potentially cracking the internal mirror.

